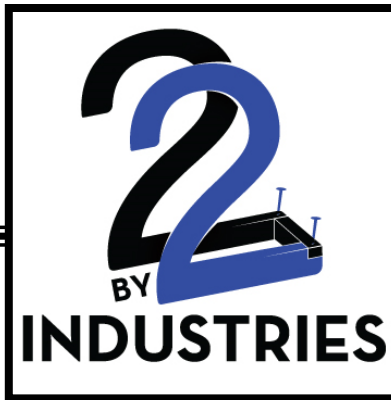
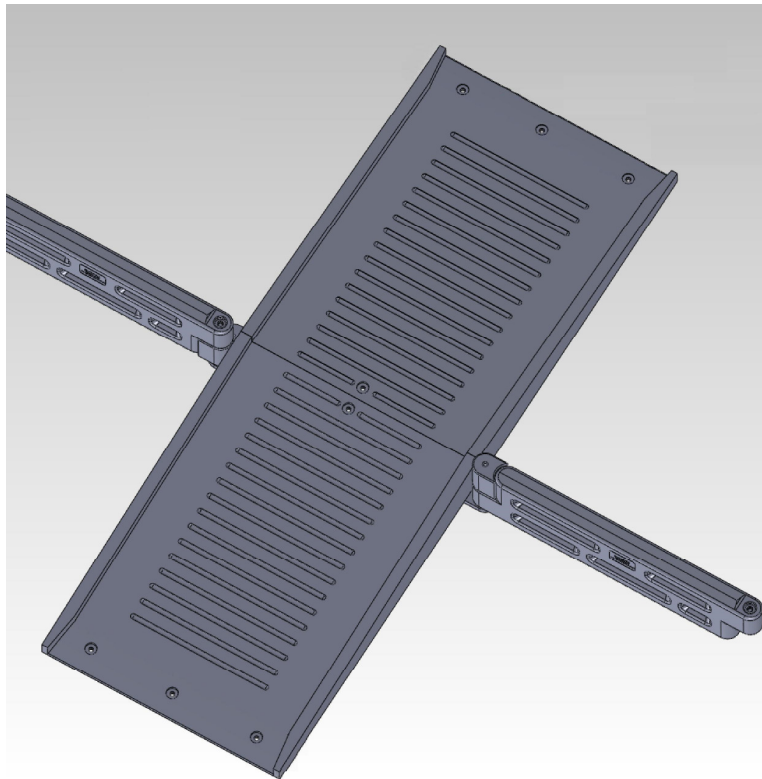


PO Box 7987
Edmond, OK 73083
14710-A Metro Plaza Blvd
Edmond, OK 73013



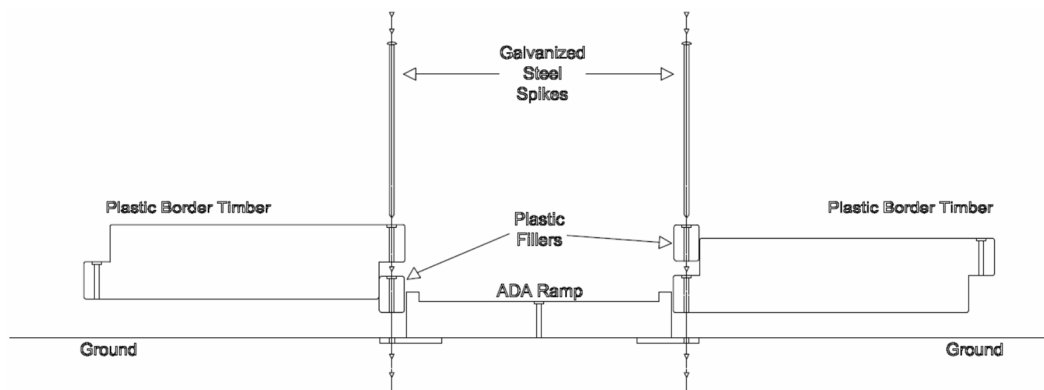
O: 877-234-6558
F: 405-607-0624
info@2by2ind.com



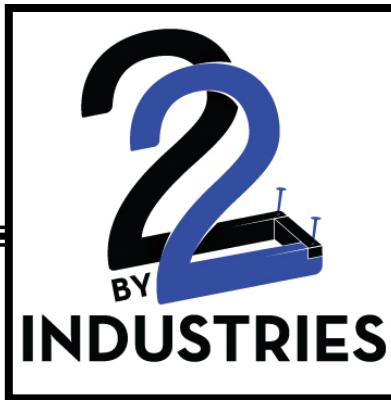
2BY2FRS12

12" Full Ramp System

INSTALLATION INSTRUCTIONS AND MATERIALS LIST

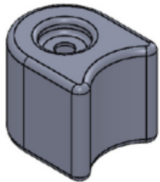


PO Box 7987
Edmond, OK 73083
14710-A Metro Plaza Blvd
Edmond, OK 73013



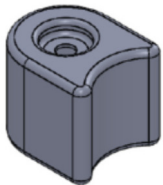
O: 877-234-6558
F: 405-607-0624
info@2by2ind.com

28" spike sent with border timbers goes into one "ear"

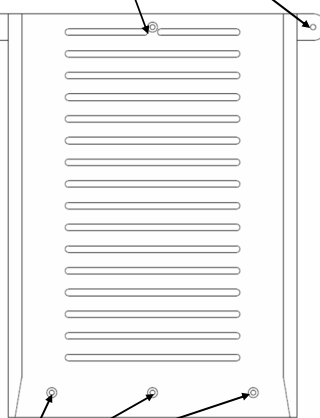


Two (2) Countersunk, pre-drilled Filler End Caps are Included

These are sized according to plastic border timbers being used, 12" or 8"

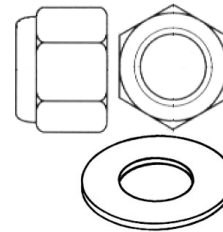


28" spikes used here



Two (2) Half-Ramps

12" spikes used here

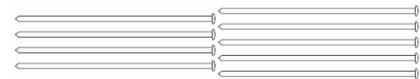


Two (2) 3/8" Nylon Hex Nuts

Four (4) 3/8" ID Flat Washers



Two (2) 3/8" x 4" Hex Bolts



Nine (9) Galvanized Steel Spikes used to install ADA Ramp

*diagram to the left specifies which size goes where

This ADA Full Ramp has been designed to work universally with any manufacturer's plastic border timber, provided its method of attachment involves a 3/4" diameter steel spike. You have the freedom to use 6", 8", or 12" plastic playground border timbers because the attachment point sits BENEATH the timber.

Here are four easy steps to complete the installation of your new ADA Ramp from 2by2 Industries:

1. Begin by lining up the holes in the vertical face together. With washers on both sides, connect the two ramp halves together with the bolt and nut. Once both are connected, tighten the hardware.
2. Place the newly constructed Full Ramp in its allocated space between the plastic border timbers.
3. Choose which "ear" you want to use and secure each side of the ramp to the border timbers using the 28" galvanized steel spike. You should use a spike that came with your border timbers to secure one side. The other side will utilize one of the provided spikes. Use the included plastic fillers to fill the gaps created from the upper and lower portions of the plastic border timbers, respectively. If you are using 8" border timbers, your fillers will each be 4" tall. If you are using 12" border timbers, your fillers will each be 6" tall.
4. Once secured in its desired location, secure a spike in each of the remaining countersunk holes in the ramp. There is one in the center at the peaks of each ramp half (28") and three more at the each entrance/exit portions of the ramp (12"). In total, there will be eight (8) spikes secured in the ramp itself and one (1) securing the ramp to the plastic border timber (28").