

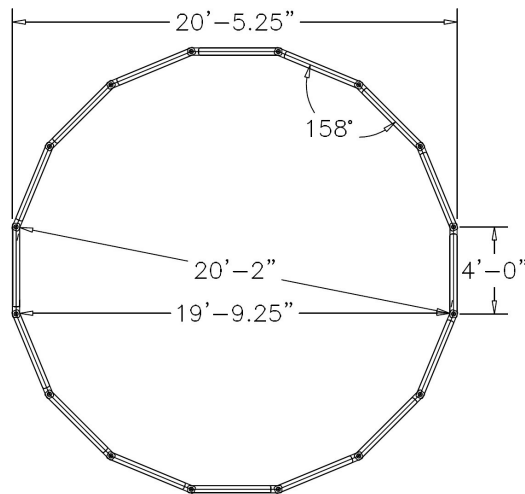
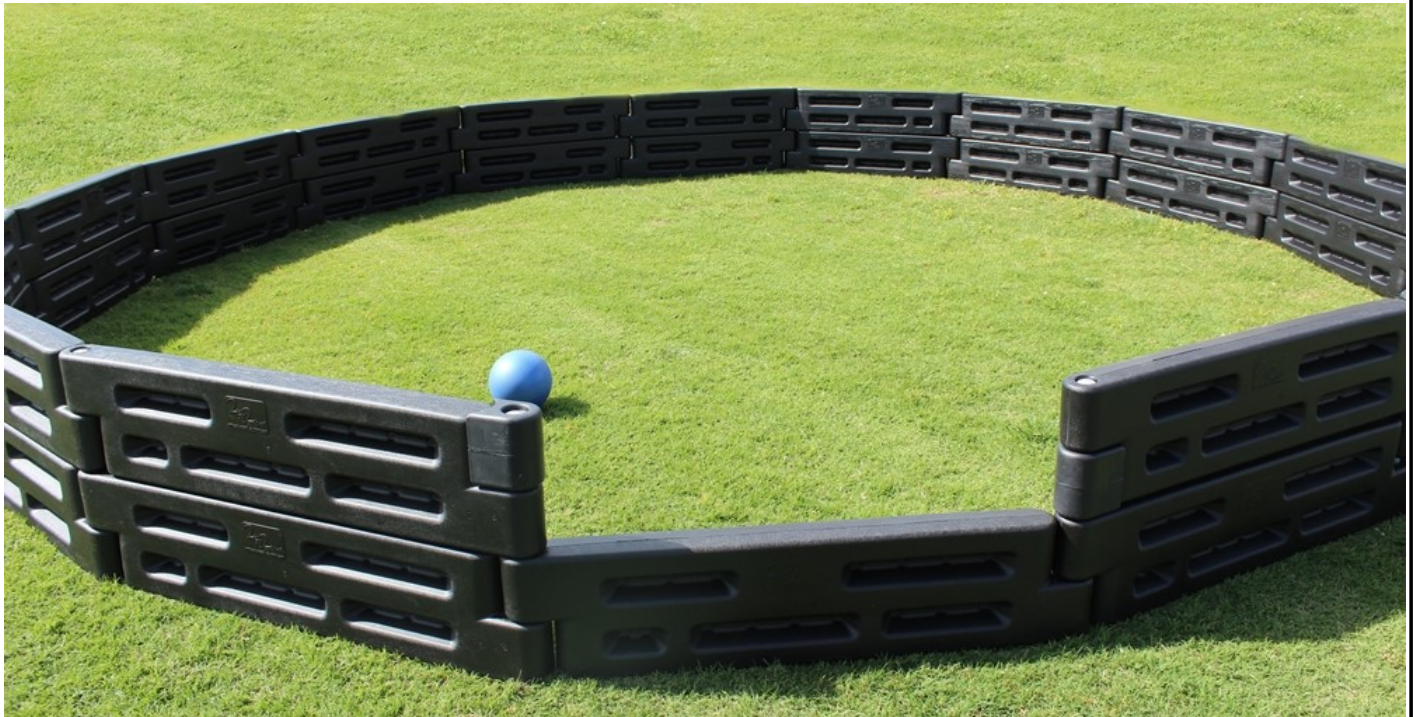
PO Box 7987
Edmond, OK 73083
14710-A Metro Plaza Blvd
Edmond, OK 73013



O: 877-234-6558

F: 405-607-0624

info@2by2ind.com



20' GAGA BALL PIT

INSTALLATION INSTRUCTIONS AND MATERIALS LIST

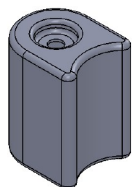
PO Box 7987
Edmond, OK 73083
14710-A Metro Plaza Blvd
Edmond, OK 73013



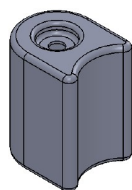
O: 877-234-6558

F: 405-607-0624

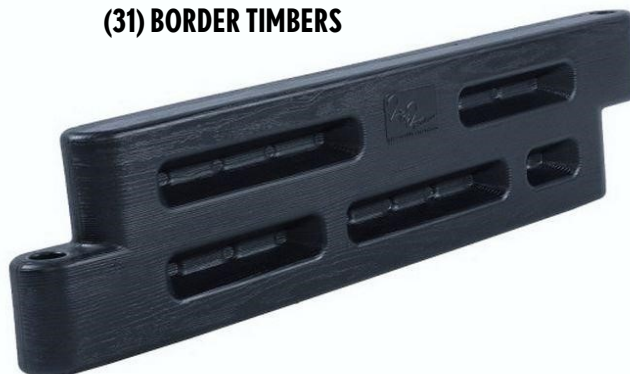
info@2by2ind.com



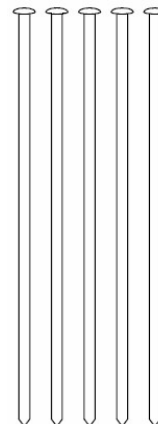
(2) 6" FILLER
END CAPS



(31) BORDER TIMBERS



(16) 36" SPIKES



Here are seven easy steps to complete the installation of your new 20' GaGa Ball Pit from 2by2 Industries:

1. In a large, flat area, locate the center point of your future GaGa Ball Pit. Partially drive one of the provided spikes in that spot (approx. 6").
2. From that spike, attach one end of a rope, string, or any easy fabric. This string needs to be approximately 10' long. From there you will stretch it out and walk in a large circle. This gives you the approximate size of the GaGa Ball Pit.
3. You will start with placing the bottom row of border timbers (16 total) and create a large circle. Use the spikes to hold them in place, but DO NOT hammer them in.
4. Once you have the first row in a circle, add the second row of borders on top of the first row. You will have to remove and re-insert the spike in place to allow it to go through the ends of four borders.
5. You will notice that there are only 15 borders for the top row, this is to allow an entry/exit point. Instead of using a border timber in that gap, you will use the 6" filler end caps to fill the spaces. This gives the GaGa Ball Pit a finished look.
6. Once fully assembled, walk around the circle and correct any pivot points that might not look like a perfect circle. Hammer the spikes until they rest within the countersunk area of the borders.
7. Enjoy your new GaGa Ball Pit!